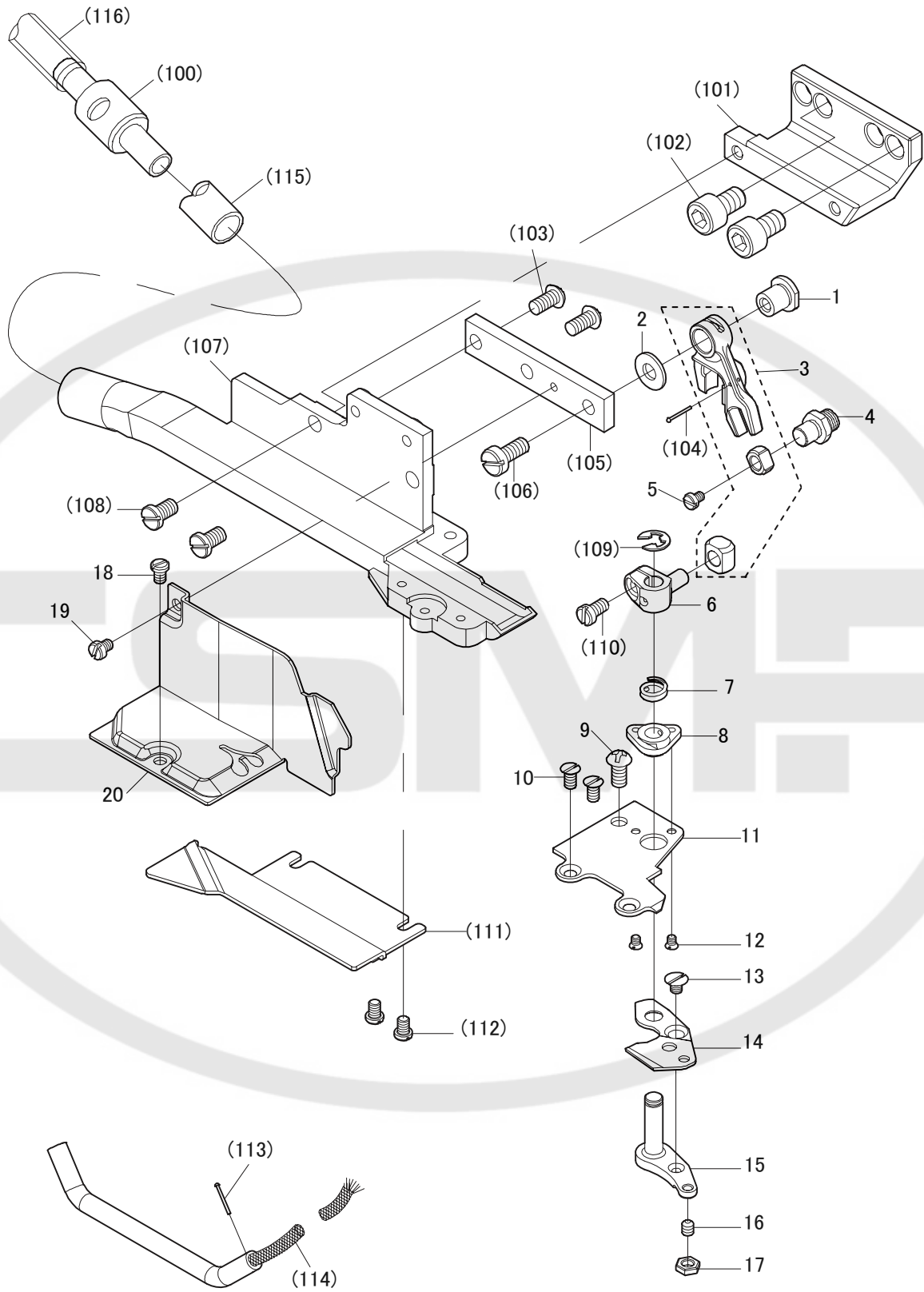


PNEUMATIC FLAT CUTTER FOR MO6500S
T053 ASM 7000081



REF.NO	NOTE	PART NO	DESCRIPTION	Qty
1		70000892	SHAFT	1
2		70000346	GASKET	1
3		70000893	CONNECTING ROD ASM	1
4		70000894	SHAFT	1
5		70000895	M_SCREW	1
6		70000896	COLLAR	1
7		70000897	SPRING	1
8		70000898	BUSHING	1
9		70000899	M_SCREW	1
10		70000900	E_SCREW	2
11		70000901	KNIFE	1
12		70000902	E_SCREW	2
13		70000903	E_SCREW	1
14		70000904	KNIFE	1
15		70000905	KNIFE SEAT	1
16		70000502	E_SCREW	1
17		70000906	NUT	1
18		70000907	E_SCREW	1
19		70000908	M_SCREW	1
20		70000909	COVER	1
(100)		-	JOINT COMB.	1
(101)		-	FIXED SEAT	1
(102)		-	M_SCREW	2
(103)		-	M_SCREW	2
(104)		-	THUMB TACK	1
(105)		-	FIXED PLATE	1
(106)		-	E_SCREW	1
(107)		-	AIR SUCTION PIPE	1
(108)		-	E_SCREW	2
(109)		-	E_CIRCLIPS	1
(110)		-	E_SCREW	1
(111)		-	FABRIC GUIDE	1
(112)		-	E_SCREW	2
(113)		-	THUMB TACK	1
(114)		-	OIL WICK	1
(115)	#01	-	AIR PIPE	1
(116)	#01	-	AIR PIPE	1

NOTE

#01 OPTION MC SERIES